

Magnetron — 100 KW L- Band CW

CWM-100 kW

The CWM-100 kW is a fixed tuned magnetically focused, air and liquid-cooled, ceramic-metal magnetron designed for industrial processing applications. It can continuously generate 100kW of useful power at 915 MHz with efficiencies approaching 86%.



Specifications

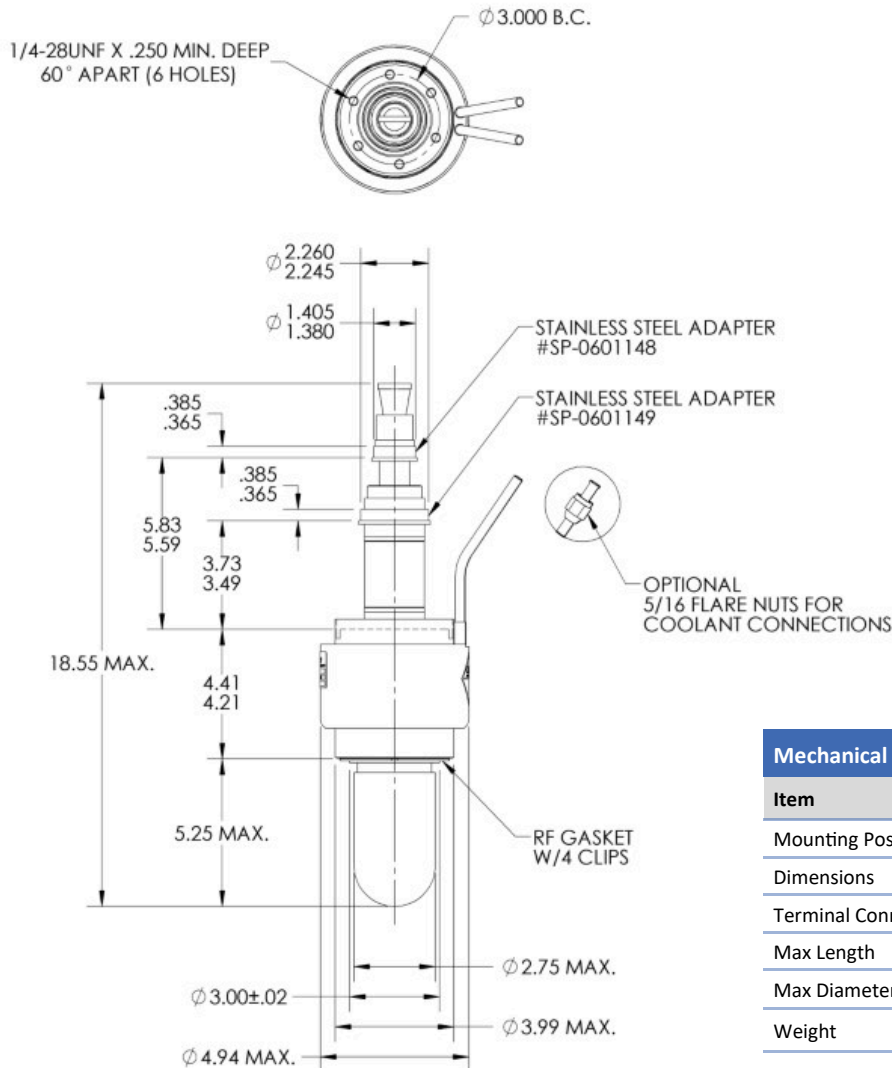
Performance Characteristics	
Item	Description
Frequency Range	896, 911, 915, 922, 929 MHz
Power Output	100 kW
Anode voltage	21 kV
Anode Current	6.5 A
Efficiency	86%
Filament Voltage	12.6
Filament Current	115 A
Max Load VSWR	1.5:1
Max Inlet Water Pressure	100 psi
Max Outlet Water Temp	70° C
Max Anode Dissipation	25 kW
Typical Operating Conditions	
Frequency	915 MHz
CW Output Power	100 kW
Anode Voltage	18.8 kV
Anode Current	6.2 A
Efficiency	85%
Filament Voltage	12.6 vac
Filament Current (standby)	115 A
Filament Current (operating)	69 A
Electromagnet Current	5.2 A
Load VSWR	1.5:1
Anode Water Flow	5.5 gpm
Anode Cooling Temp	15° C
Cathode Air Flow	15 cfm
Dome Air Flow	40 cfm

KEY FEATURES

- * 896, 915, 922, 929 MHz
- * CW output power 100 kW
- * 86% efficiency
- * Air and liquid cooled

Magnetron — 100 KW L- Band CW

CWM-100 kW

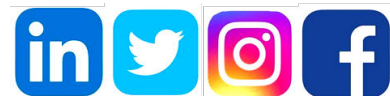


Mechanical Description	
Item	Description
Mounting Position	Any
Dimensions	See outline drawing
Terminal Connection	See outline drawing
Max Length	18.55 in
Max Diameter	4.94 in
Weight	15 lbs., 6.9 Kg

Detailed outline drawings are available on request. Specifications and features are subject to change without notice.

Stellant Systems is a partner for civil, military, and commercial organizations whose missions seek to ensure a safe, aware, and connected world. We are a premier manufacturer of critical spectrum and power amplification systems for defense, space, medical & scientific and industrial customers worldwide.

www.StellantSystems.com



Headquarters

3100 Lomita Blvd.
Torrance, California 90505
T: 310-517-6000
info@stellantsystems.com

1035 Westminster Dr.
Williamsport, Pennsylvania 17701
T: 570-326-3561

107 Woodmere Rd.
Folsom, California 95630
T: 916-351-4500

